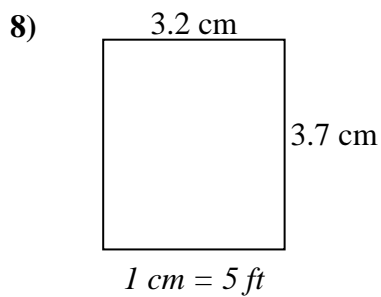
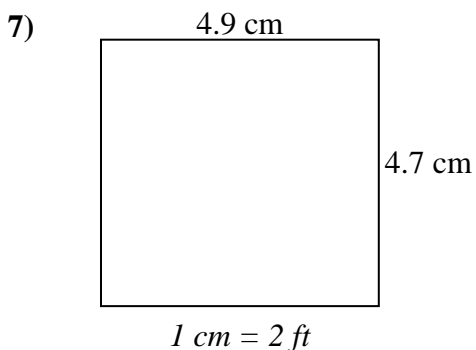
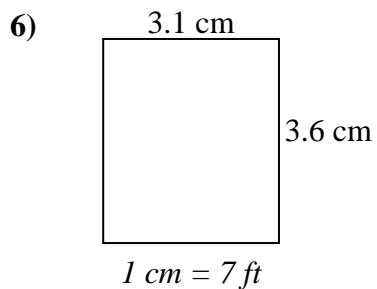
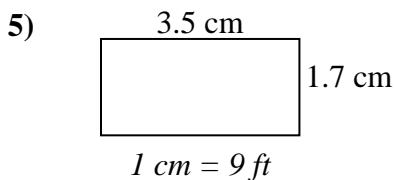
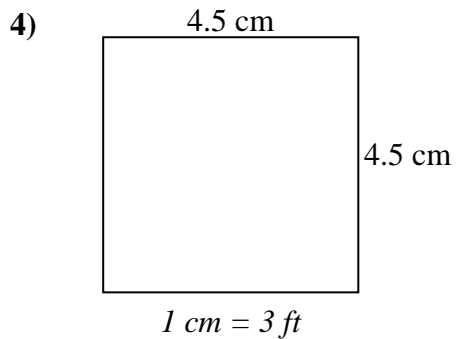
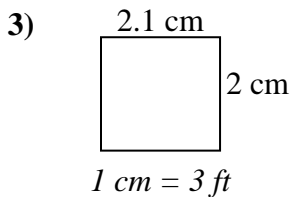
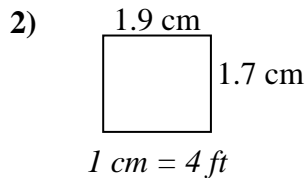
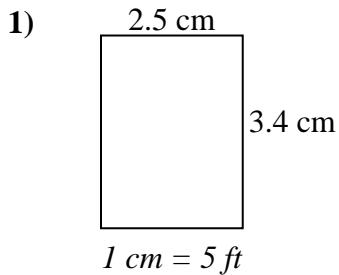




Determine the actual width, height and area of each scale rectangle.

Round the area to the nearest whole number.



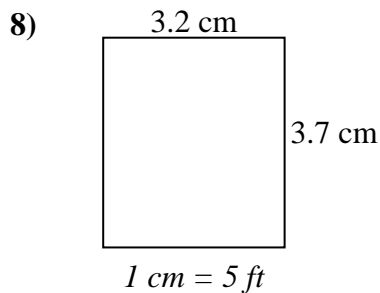
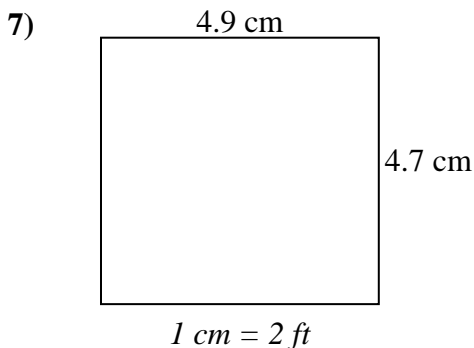
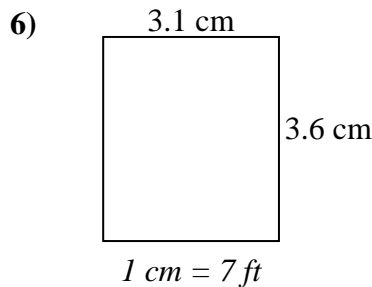
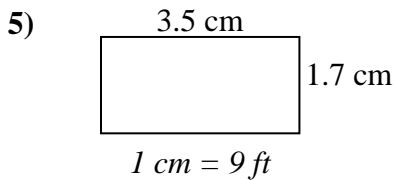
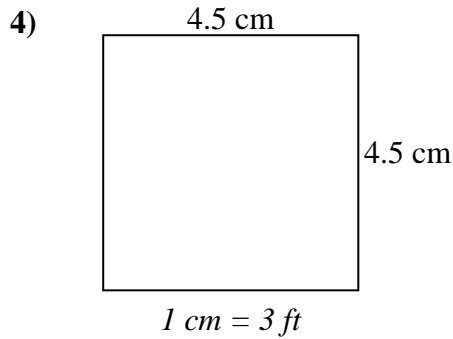
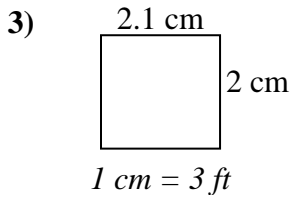
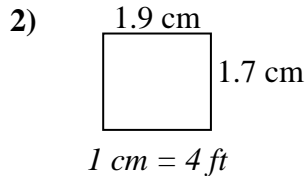
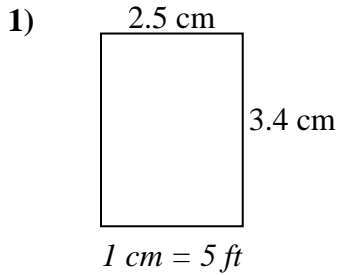
Answers

1. _____
2. _____
3. _____
4. _____
5. _____
6. _____
7. _____
8. _____



Determine the actual width, height and area of each scale rectangle.

Round the area to the nearest whole number.



Answers

- 1. 12.5 17 213
- 2. 7.6 6.8 52
- 3. 6.3 6 38
- 4. 13.5 13.5 182
- 5. 31.5 15.3 482
- 6. 21.7 25.2 547
- 7. 9.8 9.4 92
- 8. 16 18.5 296